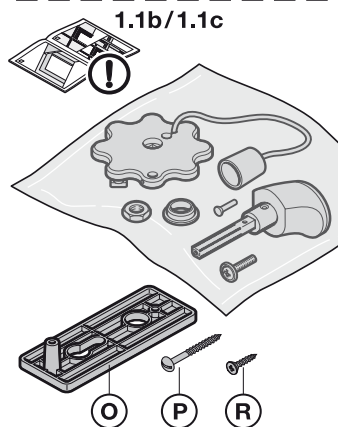
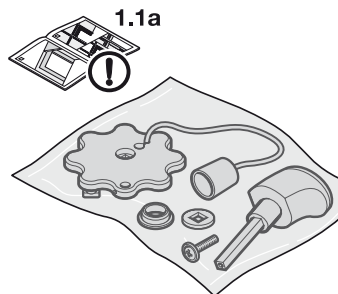
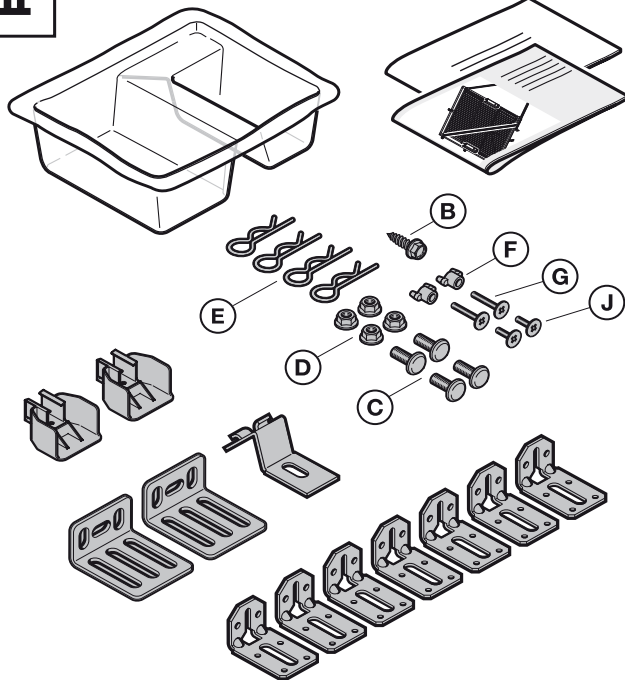
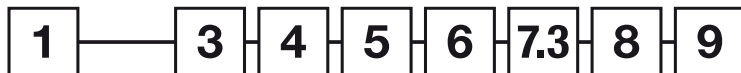
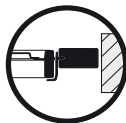
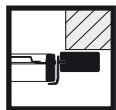
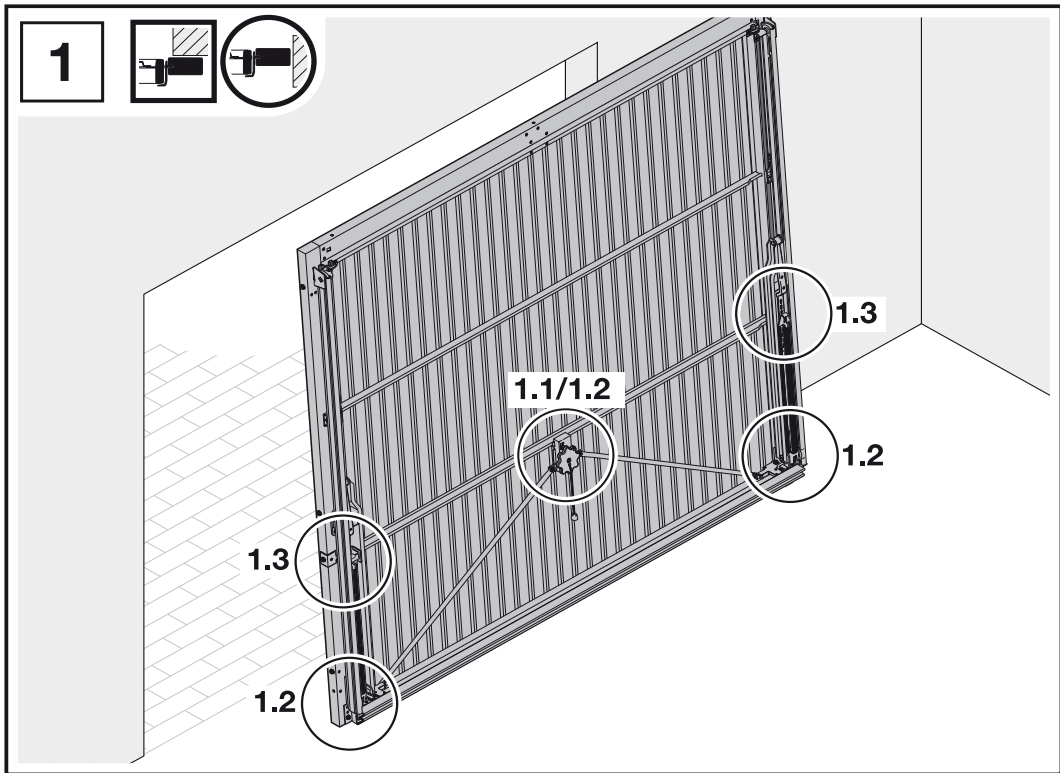


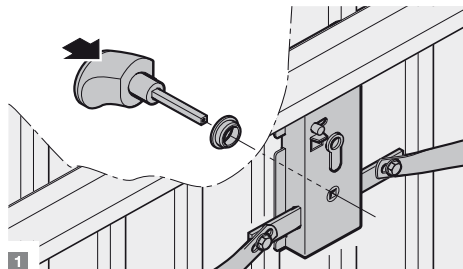
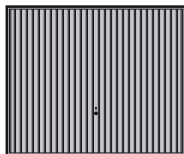
II

III

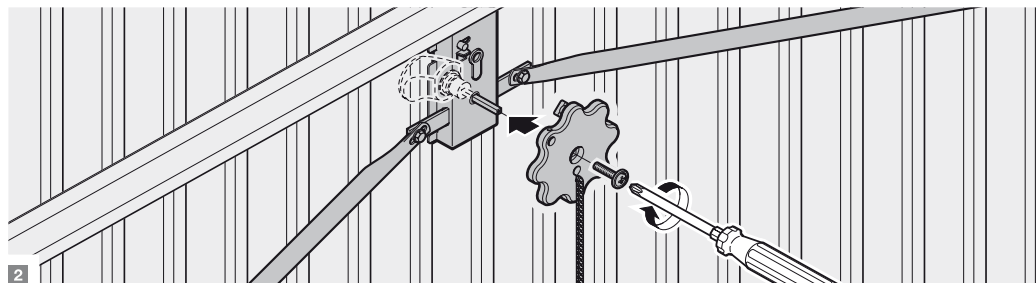
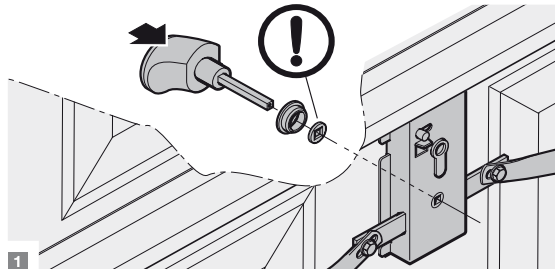
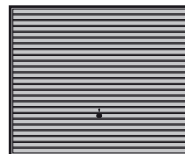


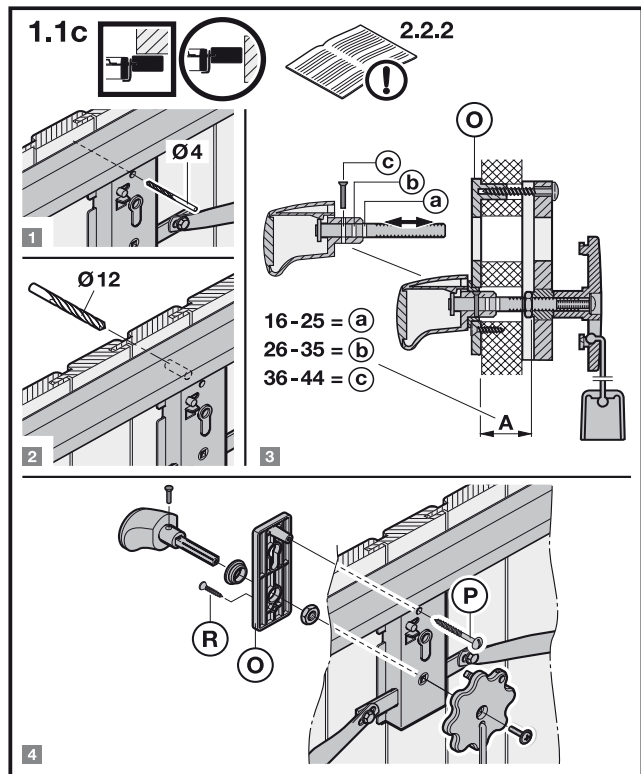
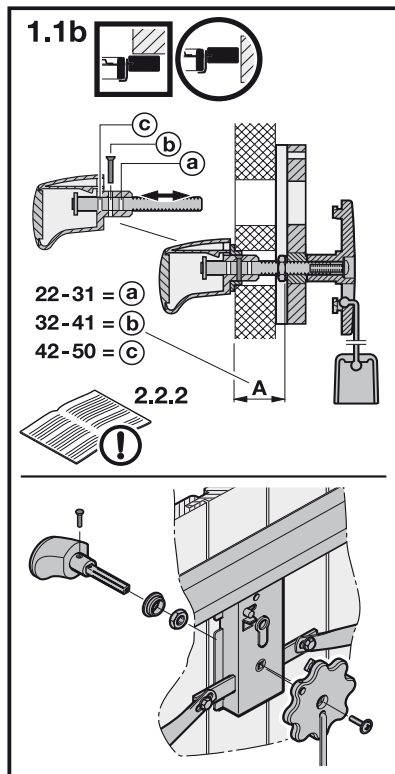


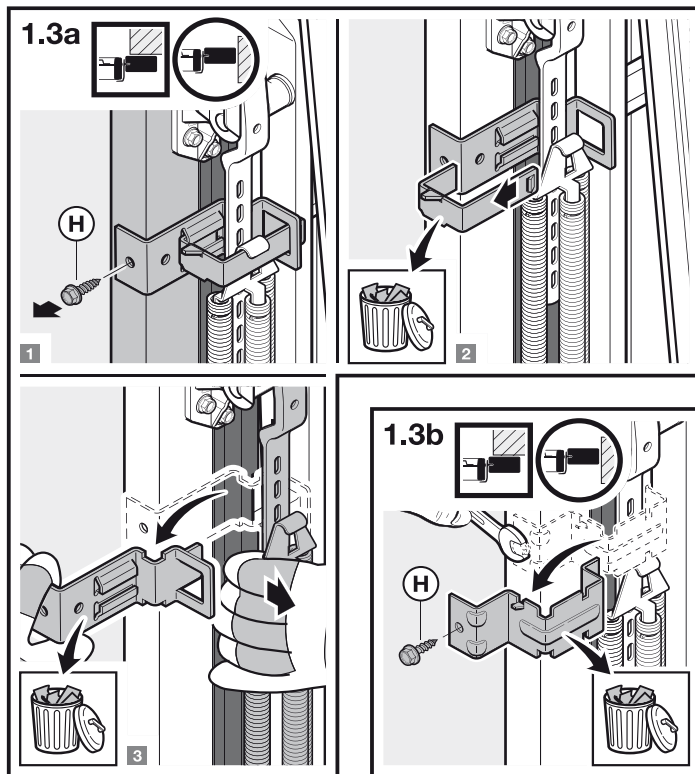
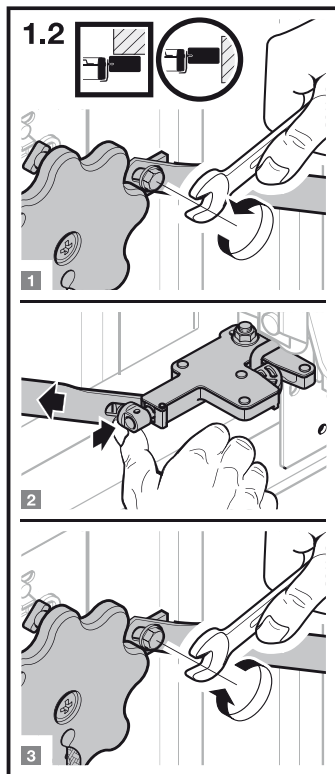
1.1a



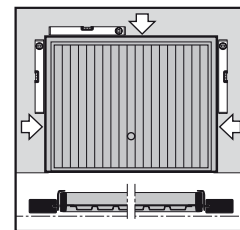
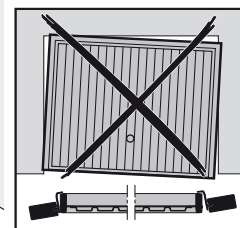
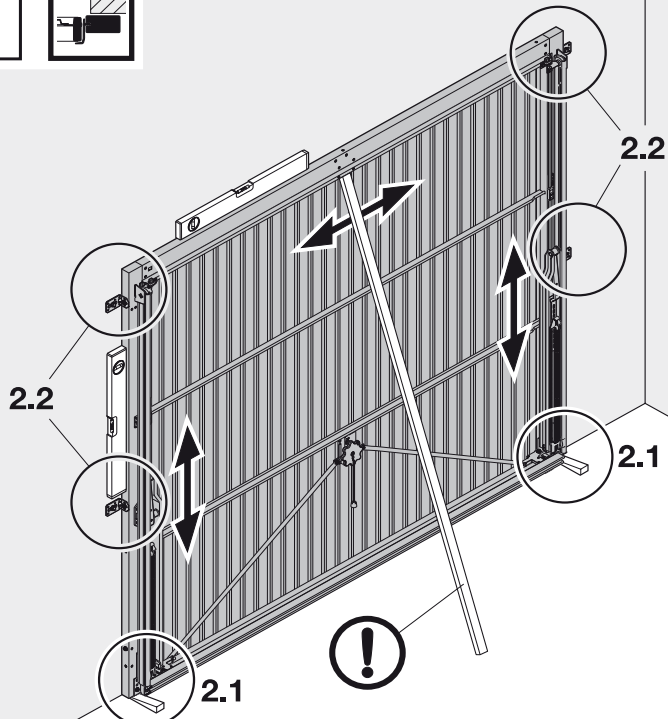
2.2.1

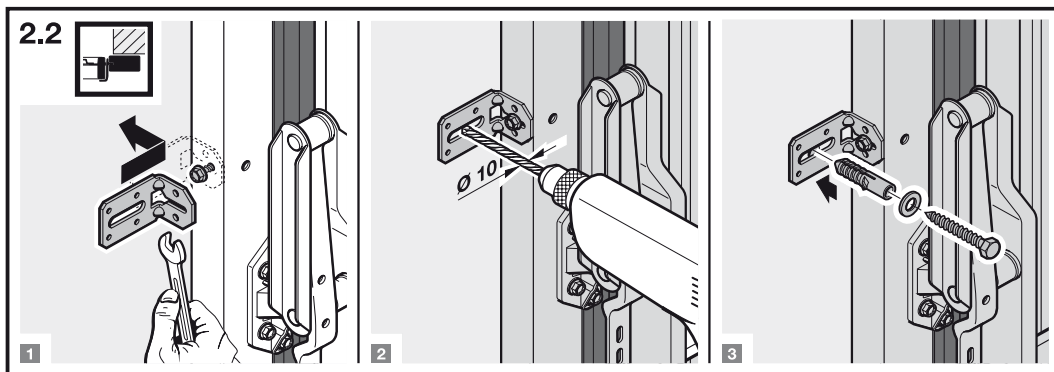
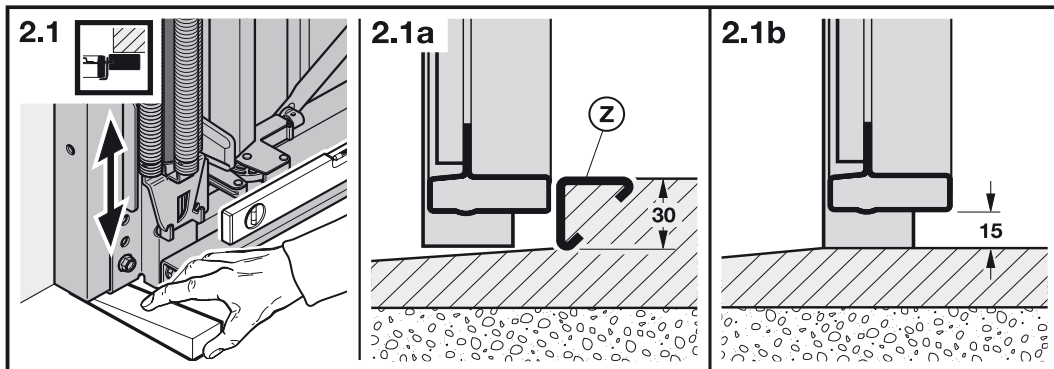


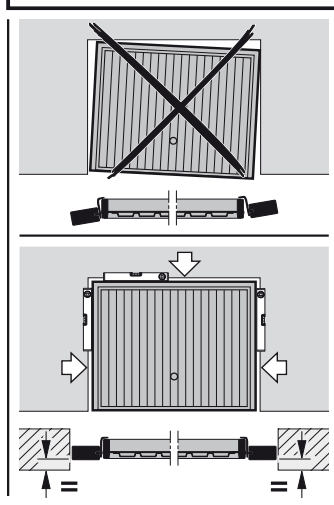
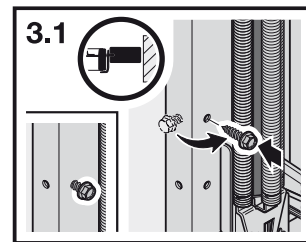
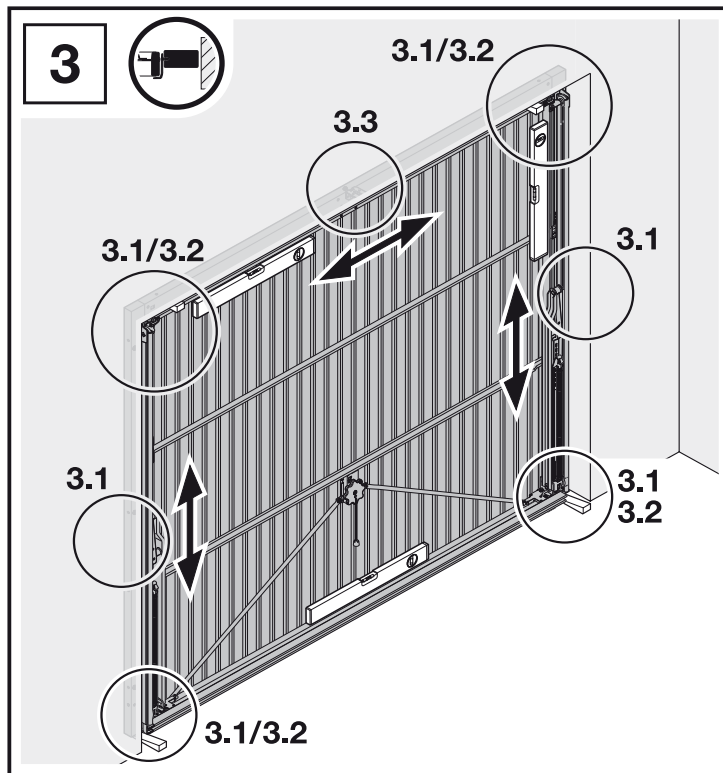


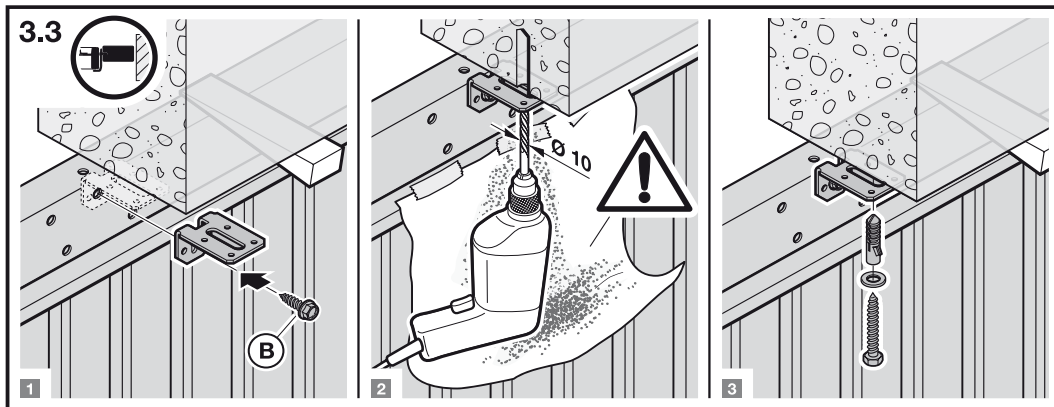
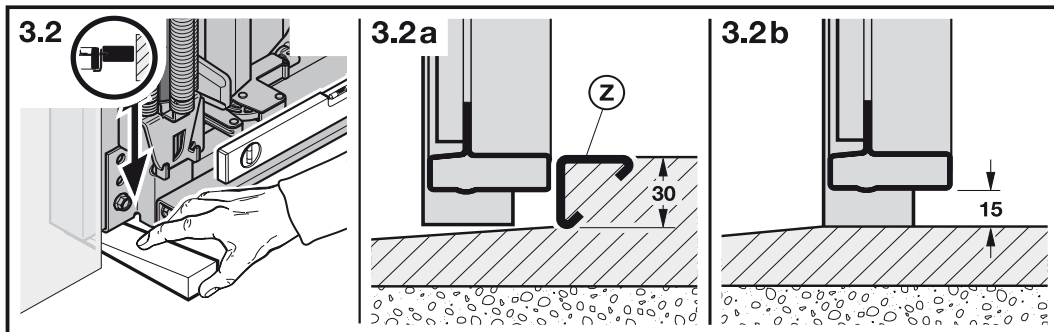


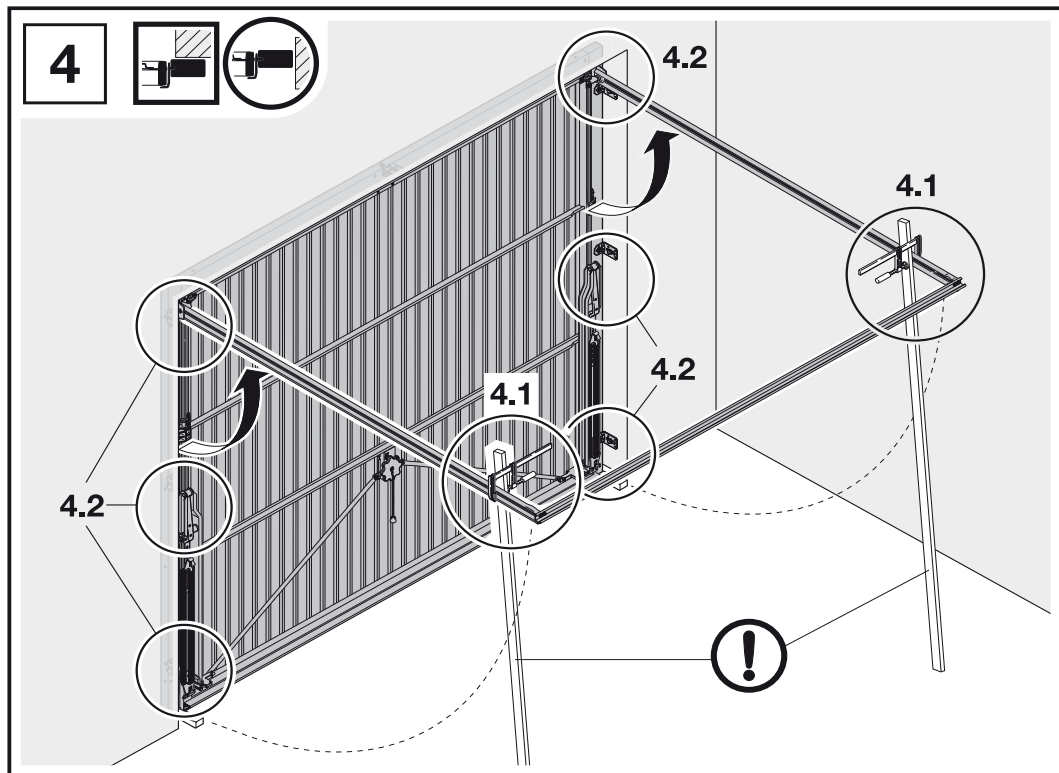
2



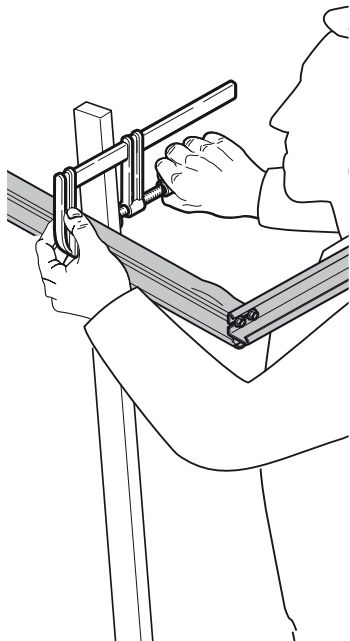




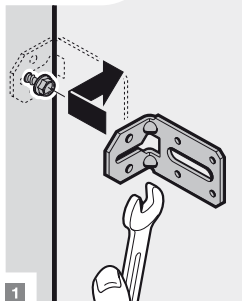




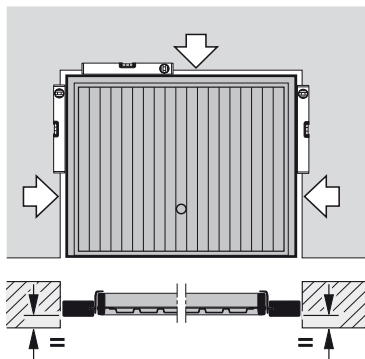
4.1



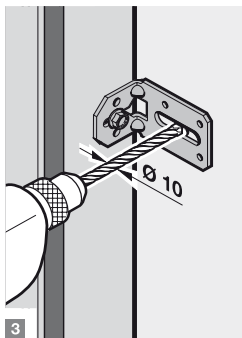
4.2



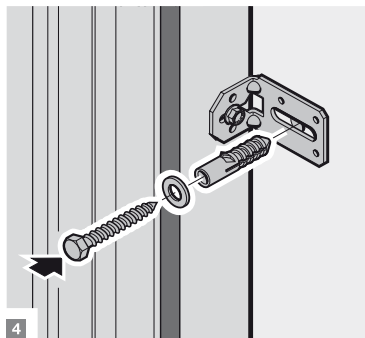
1



2

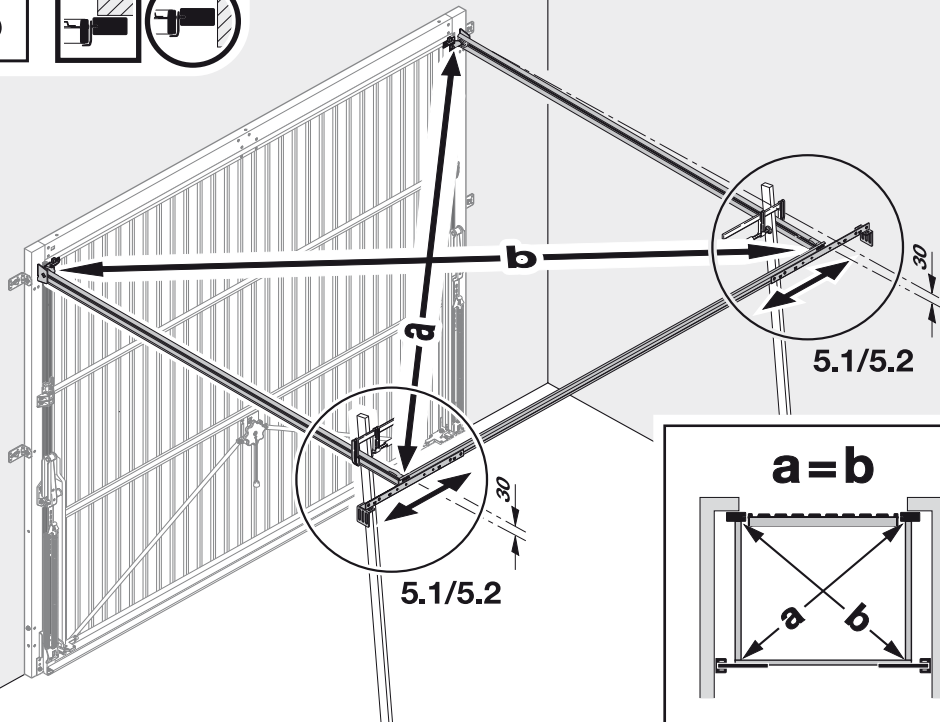


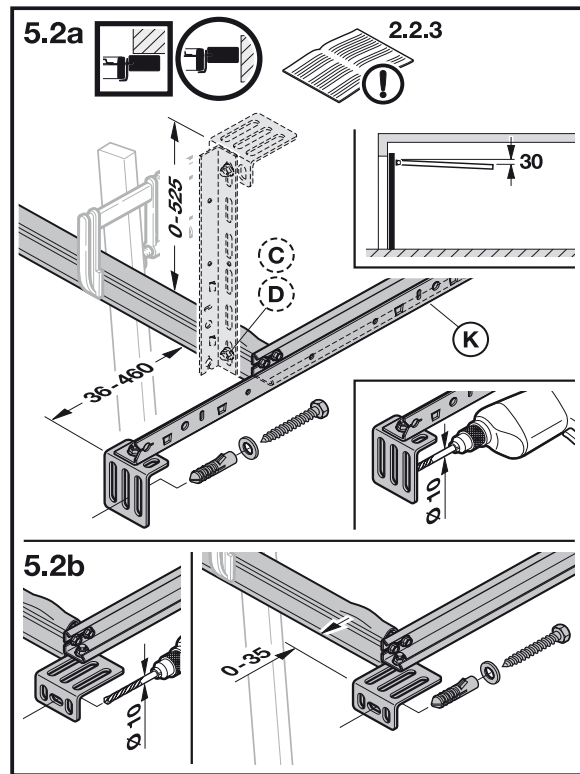
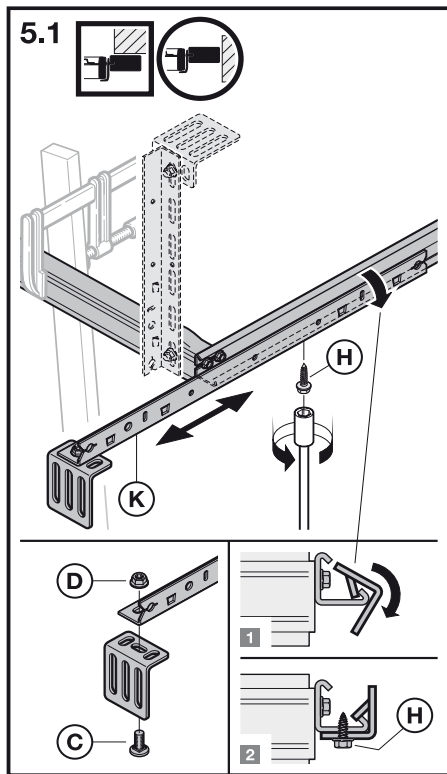
3



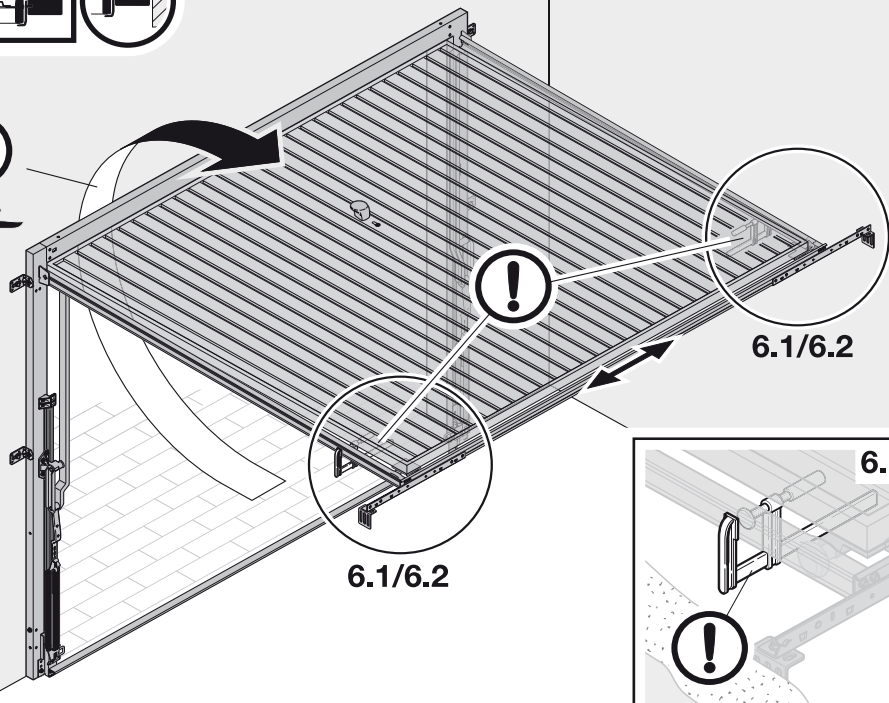
4

5





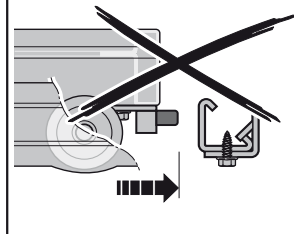
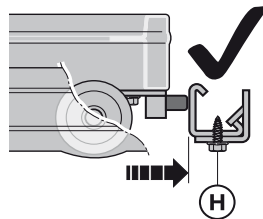
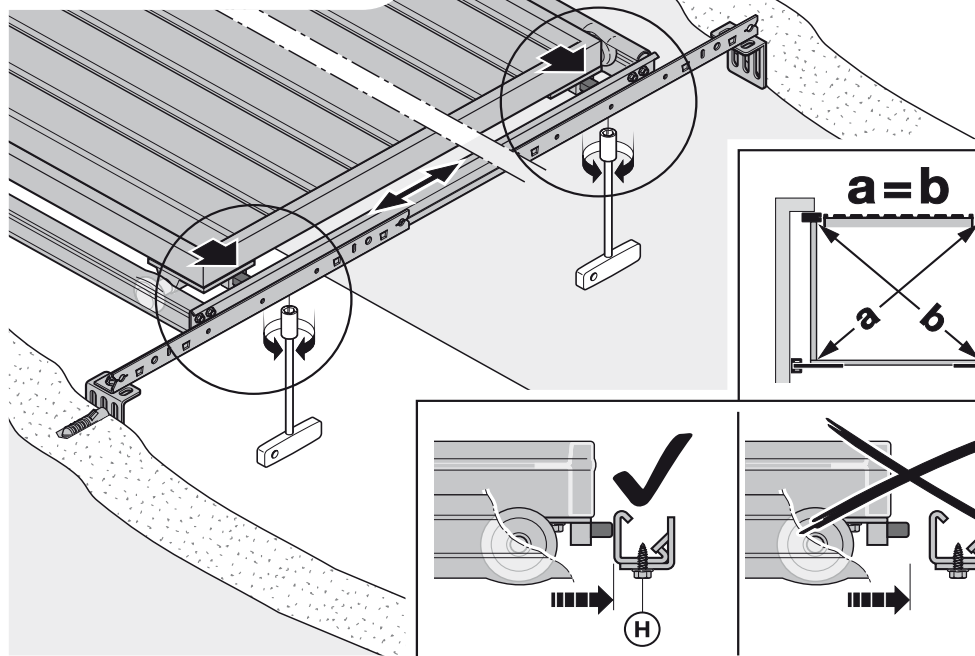
6



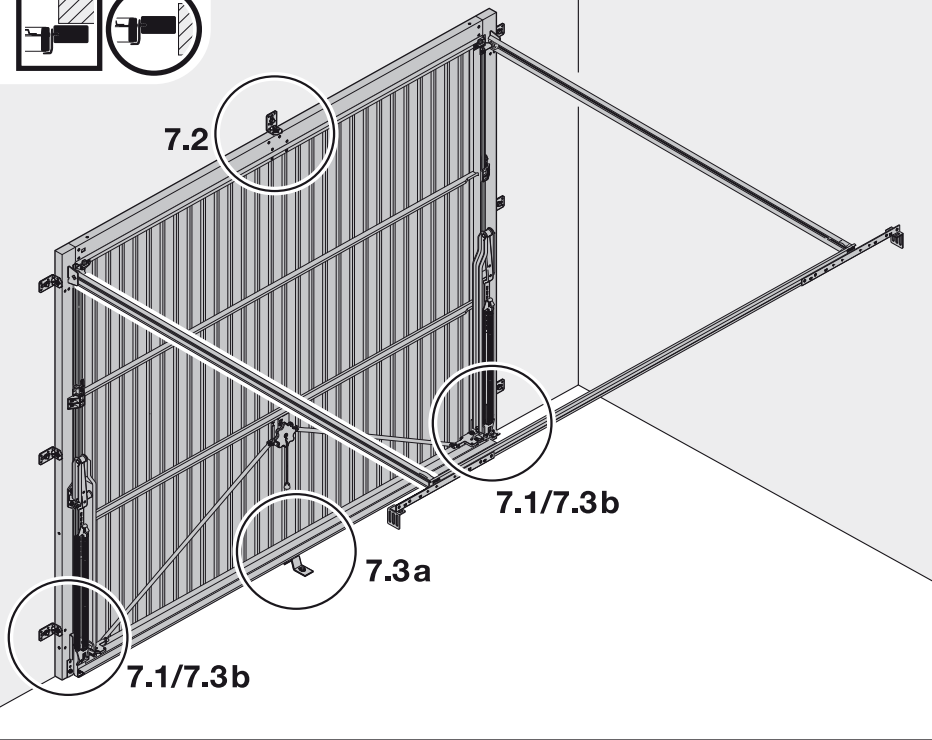
6.2



2.2.4



7

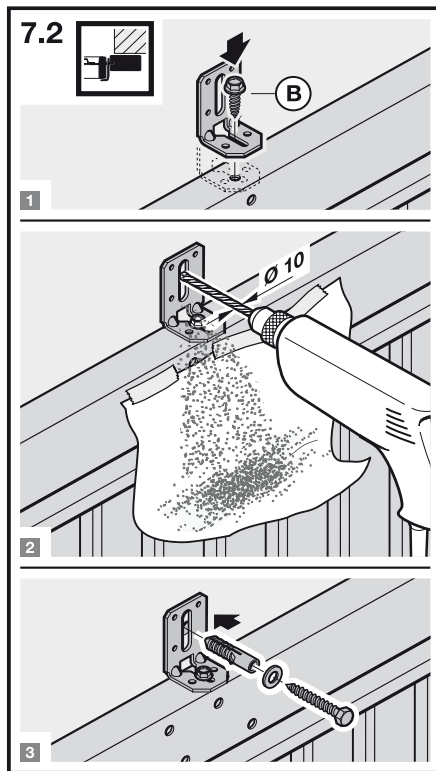
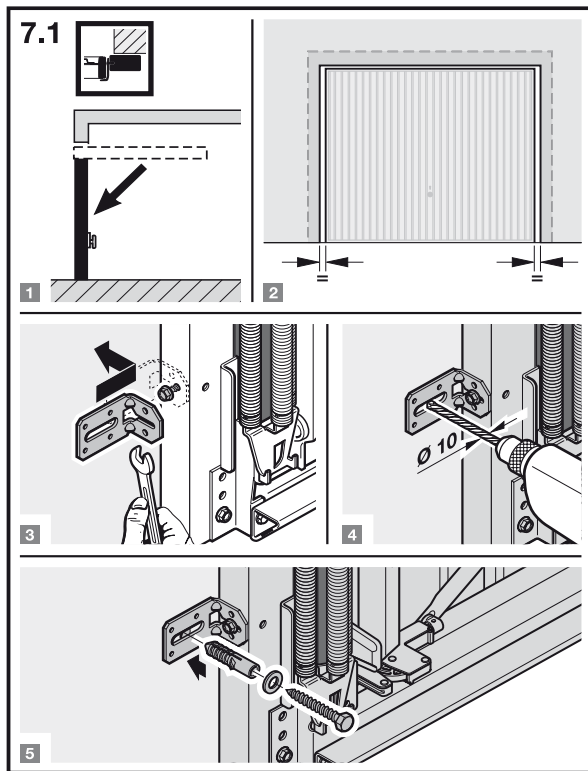


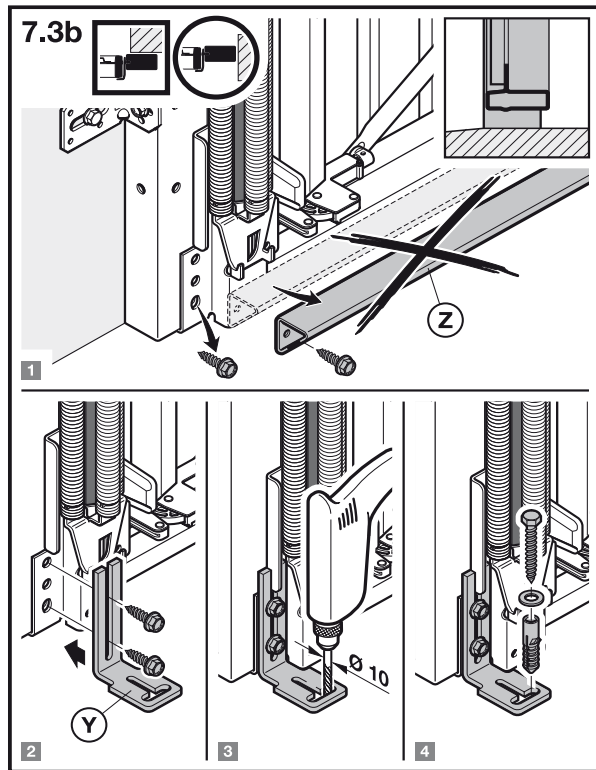
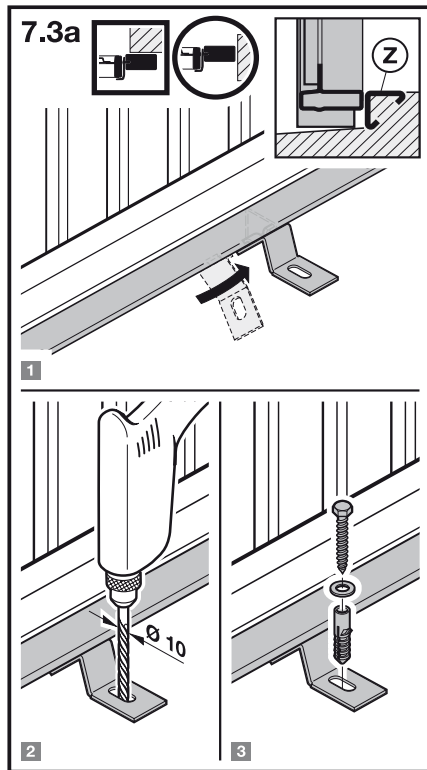
7.2

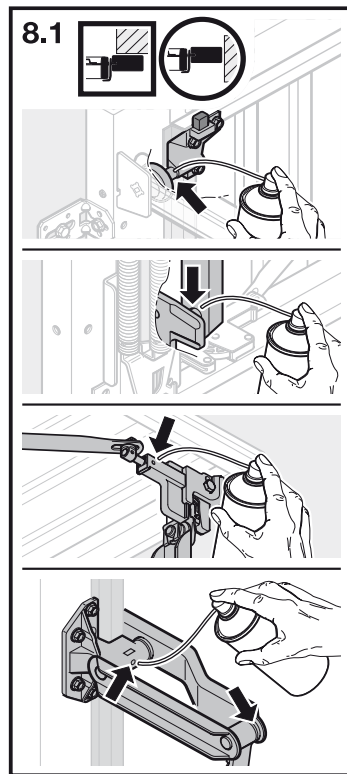
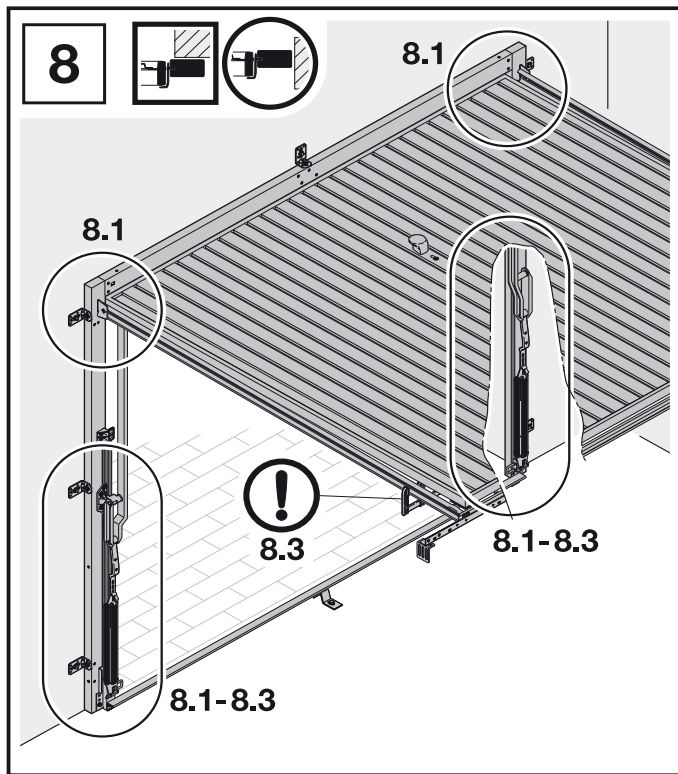
7.1/7.3b

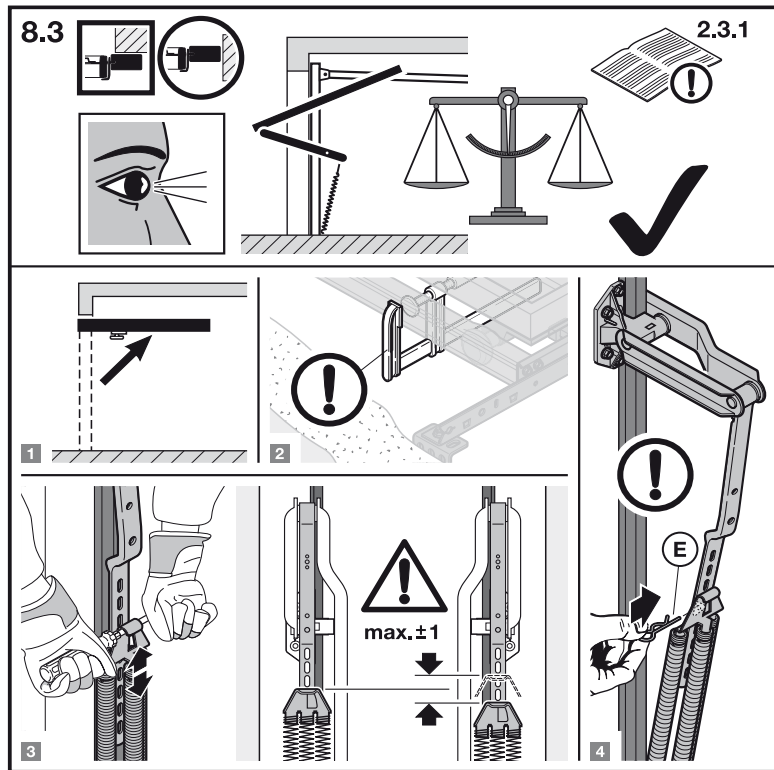
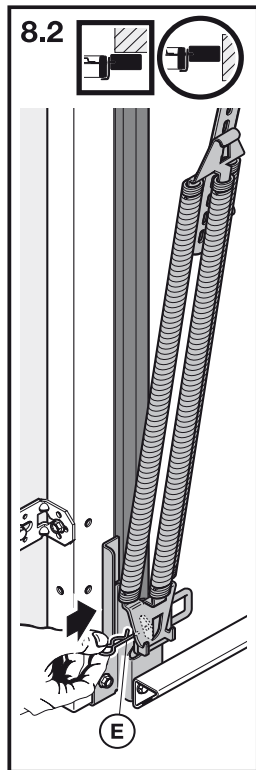
7.3a

7.1/7.3b

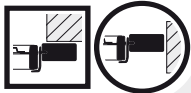








9



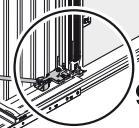
9.2



9.3



9.1



9.1



